

# GUN TOOL PRO™

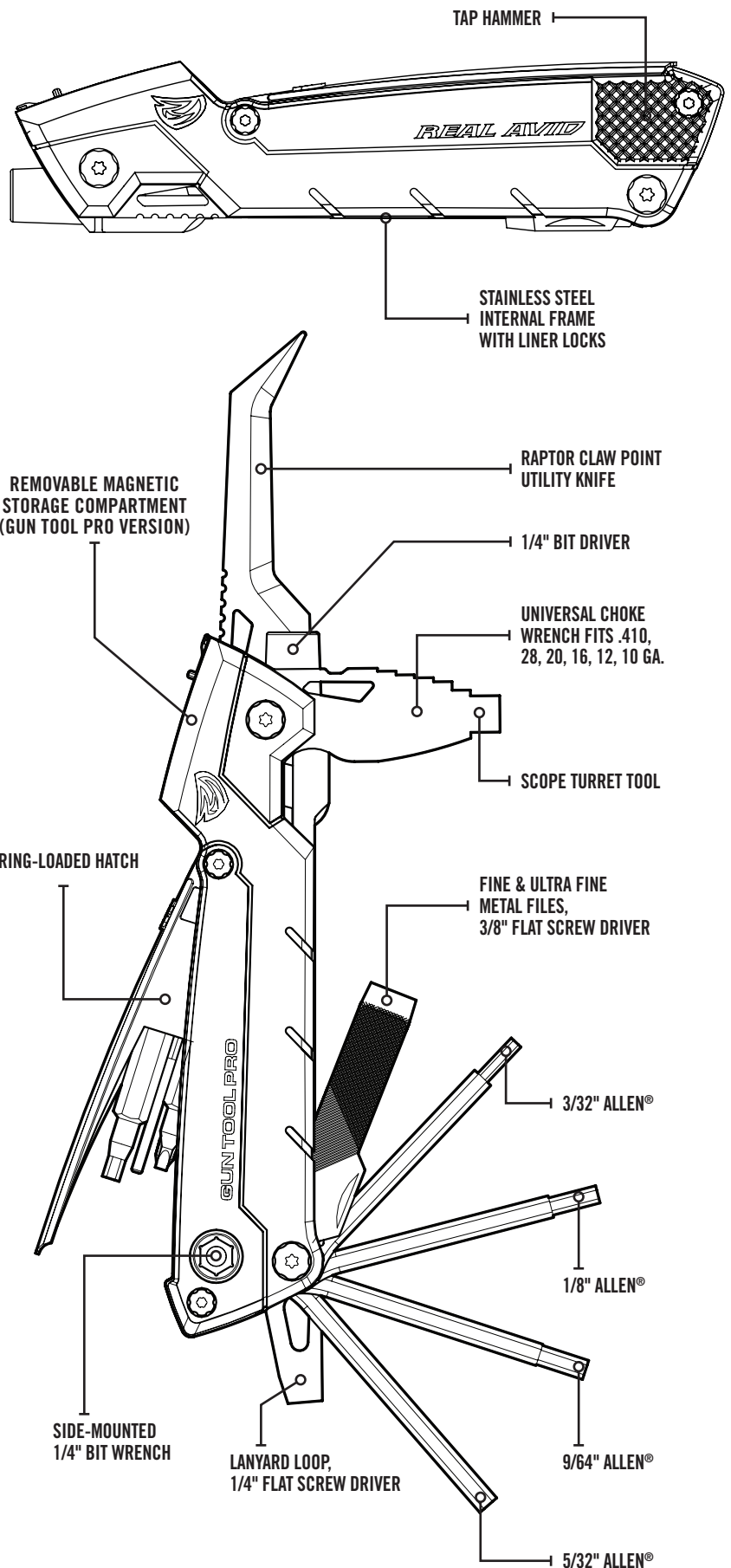
## USER GUIDE & WARRANTY

**KNIFE BLADE:** The raptor claw point blade is designed for utility cutting, such as opening ammunition boxes, cutting rope and even trimming cleaning patches in a pinch. The point is extremely sharp and can be used to remove stuck cartridges in some firearms. Only re-sharpen the blades with a carbide or ceramic sharpener following the sharpener manufacturer's instructions.

**CHOKE WRENCH:** The Gun Tool Pro's innovative choke wrench fits most 10 ga., 12 ga., 16 ga., 20 ga., 28 ga., and .410 shotguns. Because of the wide range of gun makes, models, and choke constrictions, check fitment carefully before exerting pressure. Never try to remove a stuck or embedded choke tube with this tool. When inserting or removing a choke tube, make sure to use a consistent light force. Use care to avoid cross threading.

**PIN PUNCH:** Check fitment of pin punch to all pin diameters before applying pressure. Never forcefully hammer on this tool to remove a stuck or jammed pin. If necessary, the tap hammer may be used on the pin punch with light force to ease a snug pin in or out of its location.

**BIT DRIVER / WRENCH:** The Gun Tool Pro is designed with two ways to use the supplied double-ended bits. The bit driver on the front of the tool can be used for precision work and the bit wrench on the side is designed for higher torque applications. Be careful not to exert excessive torque on the tool at any time.



3/32" FLAT ① 3/32 3/16 ① 3/16" FLAT

#00 PHILLIPS® ⊕ PH00 PH1 ⊕ #1 PHILLIPS®

#2 PHILLIPS® ⊕ PH2 T10 ⊕ T10 TORX®

T15 TORX® ⊕ T15 T20 ⊕ T20 TORX®

PIN PUNCH ○ PIN PUNCH

